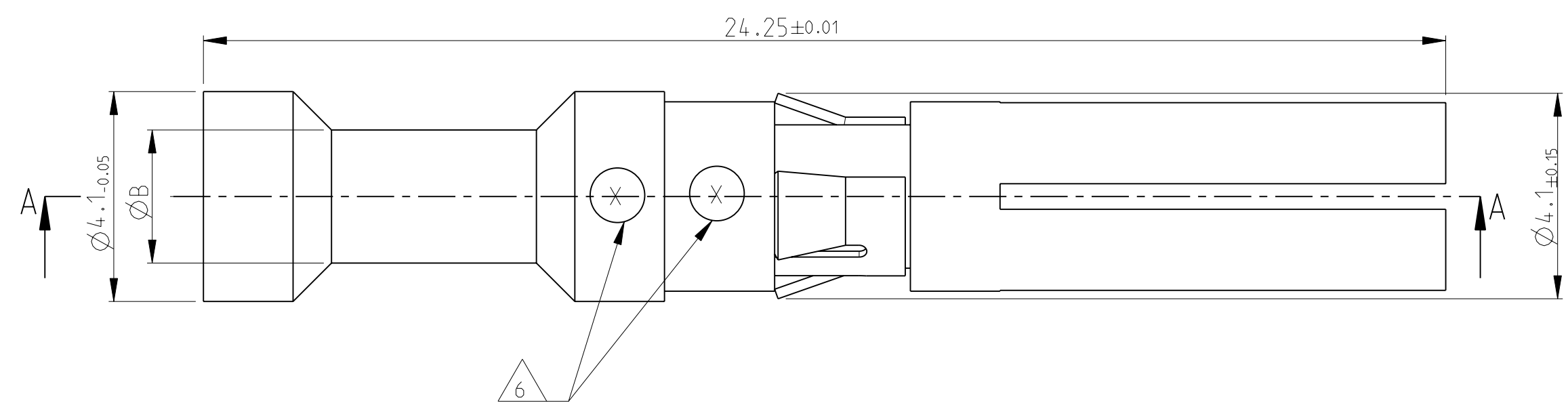


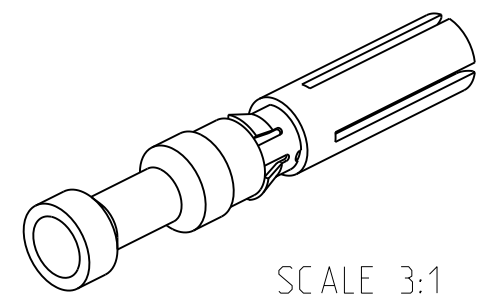
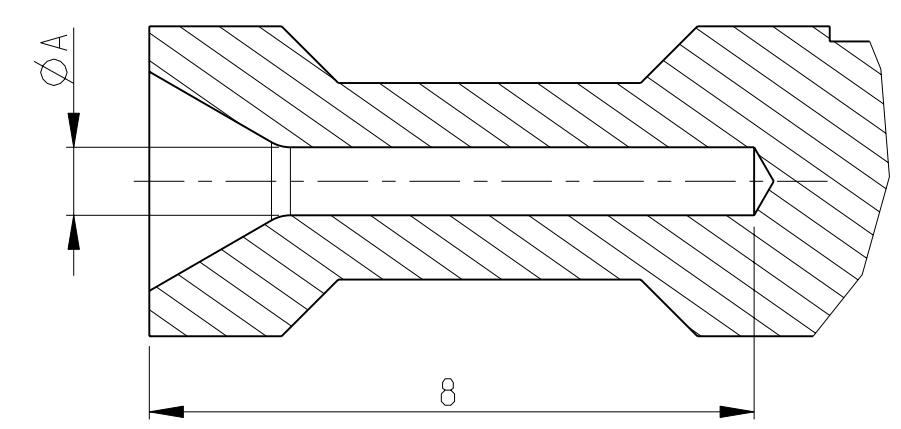
THIS DRAWING IS UNPUBLISHED. RELEASED FOR PUBLICATION
 © COPYRIGHT - ALL RIGHTS RESERVED.

LOC	DIST	REVISIONS					
		P	LTR	DESCRIPTION	DATE	DWN	APVD
A1	-	G2		REVISED PER ECO-11-005150	31MAR2011	RK	HMR



- NOTES
- 1 MATERIAL SEE TABLE
 - 2 SURFACE SEE TABLE
 - 3 ASSEMBLY WEIGHT SEE TABLE
 - 4 PACKAGING: 50 PIECES IN POLYBAG
 - 5 PACKAGING: 500 PIECES IN POLYBAG & CARTON
 - 6 CROSS-SECTION MARKING
 - 7 NO VENTILATION HOLE REQUIRED AT CROSS SECTION >4.0mm²
 - 8 SUITABLE PIN CONTACT: PN 1105300
 - 9 SUITABLE INSERTS: SERIES HVT
 - 10 SUITABLE CRIMP TOOL: PN 1-1105851-8
 - 11 SUITABLE INSERTION TOOL: PN 0-1102855-6
 - 12 SUITABLE EXTRACTION TOOL: PN 0-1102855-3
 - 13 STANDARDS: DIN EN 61984, DIN EN 60664-1

SECTION A-A



												ASSEMBLY WEIGHT IN (Kg) ³												
0.00142	0.00144	0.00148	0.00145	0.00149	0.00150	0.00144	0.00148	0.00133	0.00142	0.00144	0.00148	0.00145	0.00149	0.00150										
1	1	1	1	1	1	1	1	1	1	1	1	1	1	1	Socket Contact 4.0 mm ²				CuZn39Pb3 F50	GOLD PLATING	2.85	3.9	6	1
															Socket Contact 2.5 mm ²						2.2	3.2	5	
															Socket Contact 1.5 mm ²						1.8	3.0	4	
															Socket Contact 0.75-1.0 mm ²						1.45	2.6	3	
															Socket Contact 0.5 mm ²						1.1	2.6	2	
															Socket Contact 0.13-0.4 mm ²						0.9	2.6	1	
															Socket Contact 14 AWG					2.0	3.2	8		
															Socket Contact 12 AWG					2.55	3.6	9		
															Socket Contact 10 AWG					3.2	4.1	7		
															Socket Contact 4.0 mm ²					2.85	3.9	6		
															Socket Contact 2.5 mm ²					2.2	3.2	5		
															Socket Contact 1.5 mm ²					1.8	3.0	4		
															Socket Contact 0.75-1.0 mm ²					1.45	2.6	3		
															Socket Contact 0.5 mm ²					1.1	2.6	2		
															Socket Contact 0.13-0.4 mm ²				0.9	2.6	1			
⁴	5-2	4-2	3-2	2-2	1-2	6-2	8-2	9-1	7-2	5-1	4-1	3-1	2-1	1-1	6-1	DESCRIPTION		¹	²	ØA	ØB	⁶	ITEM NO	
⁵	5-9	4-9	3-9	2-9	1-9	6-9	8-8	9-8	7-8	5-8	4-8	3-8	2-8	1-8	6-8	ORDERING TEXT								
	HVT-C-Bu-Au-4.0 mm ²	HVT-C-Bu-Au-2.5 mm ²	HVT-C-Bu-Au-1.5 mm ²	HVT-C-Bu-Au-0.75-1.0 mm ²	HVT-C-Bu-Au-0.5 mm ²	HVT-C-Bu-Au-0.13-0.4 mm ²	HVT-C-Bu-Ag-AWG-14	HVT-C-Bu-Ag-AWG-12	HVT-C-Bu-Ag-AWG-10	HVT-C-Bu-Ag-AWG-10	HVT-C-Bu-Ag-AWG-10	HVT-C-Bu-Ag-AWG-10	HVT-C-Bu-Ag-AWG-10	HVT-C-Bu-Ag-AWG-10	HVT-C-Bu-Ag-AWG-10	HVT-C-Bu-Ag-AWG-10								

THIS DRAWING IS A CONTROLLED DOCUMENT.

DWN: G.WROBLEWSKI 04 SEP.2007
 CHK: I.SCHNURPEITL 04 SEP.2007
 APVD: I.SCHNURPEITL 04 SEP.2007

STE TE Connectivity

SOCKET CONTACT SERIES HVT

SIZE: A2 CAGE CODE: 00779 DRAWING NO: 1105301 RESTRICTED TO: -

CUSTOMER DRAWING SCALE: 10:1 SHEET: 1 OF 1 REV: G2